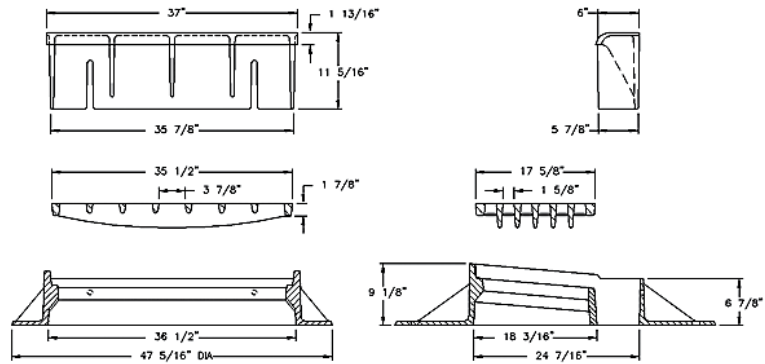


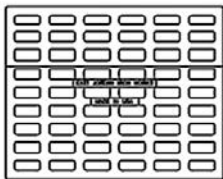
7360 CATCH BASIN CURB INLET

Heavy duty
 Approximate 250 sq. in. open area
 "DUMP NO WASTE!" lettering
 and fish image
 Accepts 7030 backs
 Curb back height adjusts from 4" to 9"

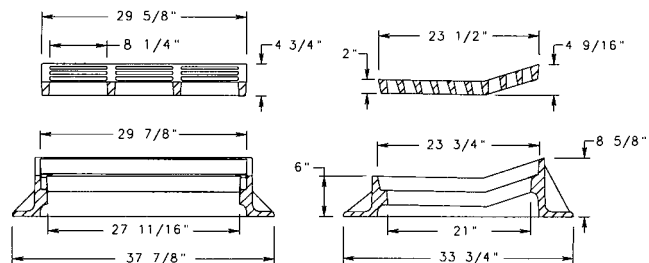


7370 — 7371 CATCH BASIN CURB INLET

Heavy duty
 With Type M grate
 Approximate 305 sq. in. open area
 Double unit available — 7371 uses
 two 7370M grates approximate
 610 sq. in. open area



Type M1 Grate
 Approx. 280 sq. in.
 open area



Supplied By:



877-903-7246

www.trenchdrainsupply.com

